



World-class turf maintenance equipment

# OPERATING INSTRUCTIONS

# ROBBI ride on brush system

MACHINE REFERENCE  
SERIAL NUMBER

ROB/8  
.....

CN CODE

8701 9015



SISIS, Ashbourne Road, Kirk Langley, Derbyshire, DE6 4NJ, England.

Tel: +44 (0) 1332 824 777 | Fax: +44 (0) 1332 824 525 | Email: [info@sisis.com](mailto:info@sisis.com) | [www.sisis.com](http://www.sisis.com)

A division of Howardson Ltd. - a proudly British company  
Company reg no 641526 - Vat No GB 345 9918 12

# EC DECLARATION OF CONFORMITY

We the undersigned  
SISIS EQUIPMENT (Macclesfield) LIMITED

Certify that the Ride on Brush Bike

Make SISIS

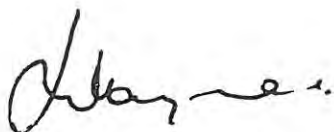
Type Robbi

Series 1

Conforms to EC Directives  
and amendments 2006/42/EC

Standard BS7370

**This certificate applies only to NEW equipment supplied  
by SISIS or out authorised dealers**



J.W. Hargreaves  
Director

Certificate Number CEFS832

We want you to obtain the best performance from this machine. If, after reading these instructions, you have any problems, please contact SISIS direct or your local SISIS Territory Manager or SISIS Dealer.

## SAFETY

- 1 ALWAYS read these operating instructions carefully and understand the controls before commencing work.
- 2 DO NOT allow any unauthorised person to handle machines in any way at any time.
- 3 LEARN to respect powered machines. Always keep hands and feet clear of moving parts
- 4 ALWAYS switch off the power before making adjustments or repairs and never lift or carry a machine whilst any parts are moving
- 5 WHEN working on slopes the maximum angle is 20°. Work up and down slopes NOT across
- 6 Avoid steep inclines where-ever possible.
- 7 When driving up steep inclines or loading onto a vehicle always reverse and drive slowly.

## DESCRIPTION

The SISIS ROBBI is an engine driven ride on machine for use on synthetic surfaces or turf. Its main function on synthetic surfaces is to brush the

sand fill back into the pile to level and improve the playing characteristics, using light, medium or heavy bristle brushes.

On turf the SISIS ROBBI may be used to remove dew or to stand up the grass before mowing, which speeds up the green without having to lower the cut and stress the grass. The ROBBI may also be used to brush in light top dressings.

## PRINCIPLE

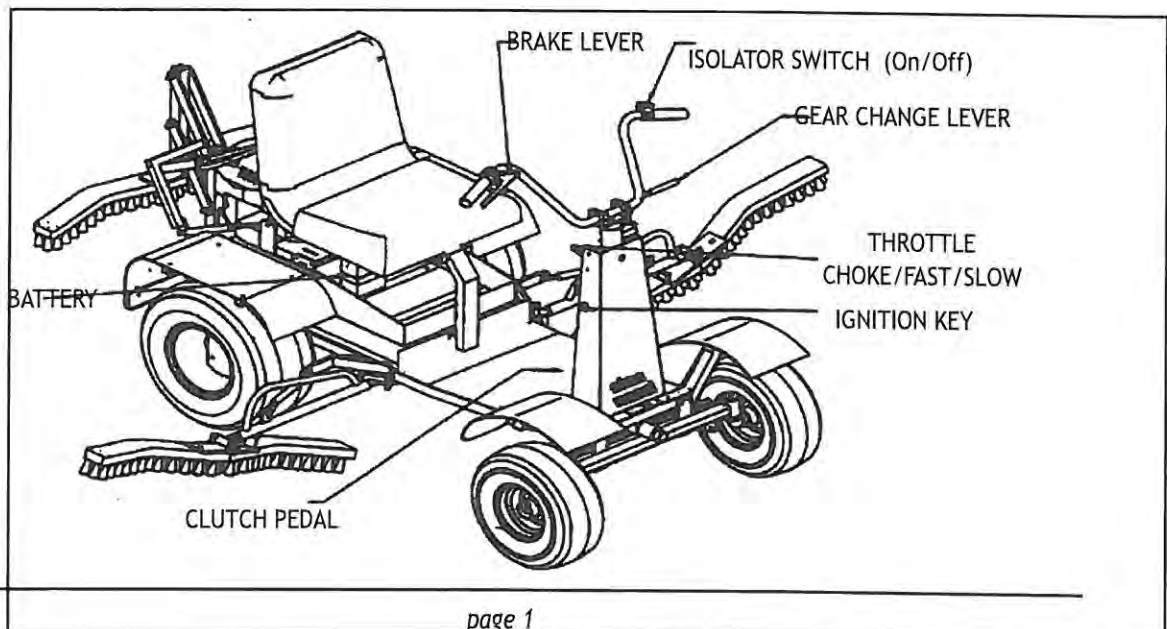
The SISIS ROBBI is driven by a 6hp Briggs & Stratton Intek vertical drive petrol engine which has electrical start, powered by a 12v battery located in the carry tray under the seat.

The engine also has a pull start which may be used if the battery is inoperative. If started with the pull start the engine alternator will recharge the battery.

The engine speed is controlled by an accelerator lever located on the right hand side of the steering column. (see figure 1). When the lever is fully depressed downwards the engine choke is engaged for starting only. As soon as the engine starts the accelerator lever is moved upwards into its run position.

The clutch pedal is located on the left hand side of the steering column (figure 1) and in conjunction with the clutch is used to select the desired gear ratio.

Figure 1



An engine isolator switch is located on the left hand side of the handle bars and must be switched to the ON position before the engine will start. This switch is also used to stop the engine and must always be in the OFF position if the operator leaves the seat.

The transaxle brake lever is positioned on the right hand side of the handle bars and is only used to assist the machine to a gentle stop.

The brush arms are assisted by gas rams to increase downward pressure on the floating brush heads. These brushes are easily changed by removing the R slips and withdrawing the securing pins.

For alternative brushes see the specification sheet at the end of this operation instruction.

### STARTING AND RUNNING ROBBI

Always sit on the seat before attempting to start the engine and ensure the gear lever is in the neutral position.

Switch the isolator switch to the ON position.

Push the accelerator lever fully downwards into the choke position.

Depress the clutch pedal fully.

Turn the ignition key until the engine starts to run. If the engine does not start first time release the ignition key after 10 seconds and repeat the procedure.

Once the engine is running lift the accelerator lever into slow running position and allow the engine to warm up for a few moments.

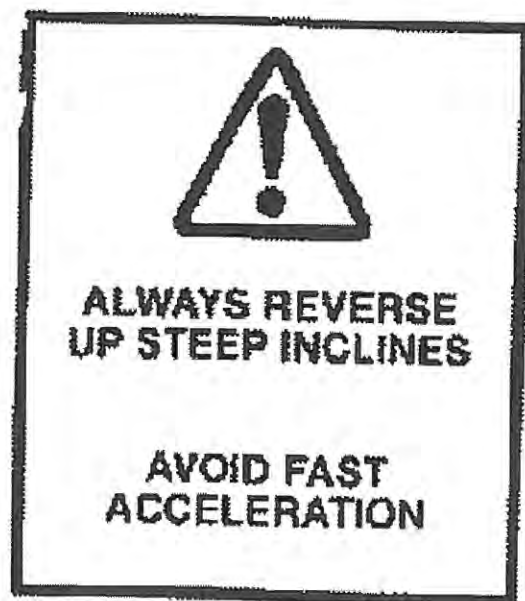
Depress the clutch and select the desired gear. Release the clutch carefully and gently move away. Increase accelerator speed smoothly until the required speed is achieved.

As with any manual transmission vehicle, if you are on a steep incline you must select a low gear and avoid fast acceleration. Always stop before selecting gears and select a gear that is suitable for the task.

Be especially careful when travelling on steep inclines. Always go up or down a slope not across it and keep the machine speed to a minimum.

### SPECIFICATION

|                        |   |            |
|------------------------|---|------------|
| Model reference        | ROB/8   |            |
| Overall width          |   |            |
| (brushes folded)       | 1m  | 39 1/4 ins |
| Brushing width         | 243cm   | 96ins      |
| Height                 | 116cm   | 45ins      |
| Engine                 | 4.47 kw   | 6 hp       |
| Weight                 | 144kg   | 316lbs     |
| Length                 | 183cm   |            |
| Tyres - Front          | 15 x 6.00 x 6                                   |            |
| - Rear                 | 18 x 9.5 x 8                                    |            |
| Tyre Pressure - Front  | 12psi   |            |
| (0.82bar)              |   |            |
| - Rear                 | 15psi   |            |
| (1.02bar)              |   |            |
| Fuel                   | Leaded or Unleaded petrol                       |            |
| Fuel Capacity          | 1.6 litres                                      |            |
| Engine oil capacity    | 0.65 litres                                     |            |
| Engine oil             | SAE 10.30W                                      |            |
| Transaxle oil capacity | 0.473 litres                                    |            |
| Transaxle oil          | FP80 W90  |            |
| Turning circle         | 5.5mtrs   |            |
| Optional brushes       | 1 set of 3 light duty<br>1 set of 3 medium duty |            |



**FAULT FINDING**

|                              | <i>FAULT</i>                                   | <i>SOLUTION</i>   |
|------------------------------|--|---|
| ROBBI will not start         | Isolator not switched to ON position           |   |
|                              | Battery charge low                             | Recharge battery.<br>Start machine on pull start  |
|                              | Choke not fully engaged from accelerator lever | Check that choke is engaging<br>Check fuel level in engine fuel tank  |
|                              | Check wiring connections on                    | Battery ) see<br>Engine alternator/starter motor ) wiring<br>Ignition switch connections ) diagram<br>Isolator switch connections |
| ROBBI will not drive         | Gear lever not engaged                         | Gear lever needs adjustment on connecting rod<br>Drive belt stretched, adjust engine, see diagram, to tension belt.               |
| Brake Lever will not operate |  | Adjust brake cable on threaded adjuster   |

**For engine problems consult manufacturers hand book supplied with machine**

If problem cannot be solved ring the SISIS Service desk  
on 01625 503030 fax 01625 427426 email info@sisis.com

**SERVICE SCHEDULE**

|                  |  |
|------------------|--|
| DAILY before use | Visually check machine for damaged or worn parts, loose fasteners<br>Check engine oil<br>Check engine fuel level<br>Check tyres for damage and air pressure        |
| AFTER use        | Clean all sand and debris from machine<br>If storing for long periods, disconnect battery ready for recharging.<br>Drain fuel from engine, grease all moving parts |
| PERIODICALLY     | Oil all moving parts<br>Clean Robbi  |

**Service engine according to manufacturers hand book supplied with machine.**



For use where petrol/diesel fumes are not acceptable. A Robbi, converted to LPG (gas) will not run on petrol. Conversion to petrol is possible - refer to the manufacturer.

**GAS USAGE**

The Robbi uses approximately 1.5 kg of gas per hour at full load. 11 kilo of gas = 7.3 hrs.

**TO OPERATE ROBBI WITH LPG**

Fit the gas bottle to the base bracket at the front of the machine between the two front wheels and secure with the over centre catch. Ensure that the bottle is secure.



Screw the red regulator valve into the bottle, ensuring that the valve thread is not cross threaded. Tighten to ensure a good seating. Check the rubber hose is not kinked or twisted.



Turn on the gas bottle with the on/off valve supplied with the gas bottle.



Move the throttle lever to about 2/3rds. running position



Push the spring loaded button on the fuel controller next to the seat on the right hand side of the machine for 1 second. Gas will be heard to enter the engine.



Turn the ignition key to start position. The engine will start.



If the engine does not start first time wait 30 seconds and repeat the procedure.

Turn gas OFF using tap on top of propane bottle after use.

**NEVER** attempt to use petrol

**ALWAYS** use an 11 kilo propane bottle

**NO** naked flames to be used near gas bottle or related parts.

**DO NOT** smoke whilst changing bottles.

**DO NOT** leave Robbi or the gas bottle outside in freezing conditions.

**ALWAYS** store spare bottles in a secure caged



# PARTS LIST & DRAWINGS

## ROBBI ride on brush system

|                   |           |
|-------------------|-----------|
| MACHINE REFERENCE | ROB/8     |
| SERIAL NUMBER     | .....     |
| CN CODE           | 8701 9015 |

---

SALES/SPARES 01625 503030  
Website [www.sisis.com](http://www.sisis.com)

| <i>item</i> | <i>part</i> | <i>description</i>     | <i>qty</i> | <i>item</i> | <i>part</i> | <i>description</i>   | <i>qty</i> |
|-------------|-------------|------------------------|------------|-------------|-------------|----------------------|------------|
| 1           | 33873       | throttle cable         | 1          | 61          | 1002        | woodruff key         | 1          |
| 2           | 35013       | transfer               | 1          | 62          | 1010        | parallel key         | 1          |
| 3           | 35165       | spring                 | 2          | 63          | 1012        | parallel key         | 2          |
| 4           | 35267       | spring cap             | 2          | 64          | 1239        | setscrew             | 1          |
| 5           | 35382       | seat frame             | 1          | 65          | 1394        | On/Off switch        | 1          |
| 6           | 35385       | rear brush arm         | 3          | 66          | 36000       | nameplate            | 1          |
| 7           | 35387       | side brush arm LH      | 1          | 67          | 1539        | washer               | 1          |
| 8           | 35390       | side brush arm RH      | 1          | 68          | 1600        | vee belt             | 1          |
| 9           | 35773       | wheel hub              | 2          | 69          | 1696        | pop rivet            | 8          |
| 10          | 35821       | suspension arm         | 1          | 70          | 1871        | pop rivet            | 2          |
| 11          | 35822       | wheel axleLH           | 1          | 71          | 1990        | sel lok pin          | 1          |
| 12          | 35823       | wheel axle RH          | 1          | 72          | 4830        | clutch cable         | 1          |
| 13          | 35824       | main frame assembly    | 1          | 73          | 7103        | tension spring       | 1          |
| 14          | 36065       | steering rod assembly  | 1          | 74          | 8036        | grub screw           | 4          |
| 15          | 35826       | steering bracket       | 1          | 75          | 8049        | bearing              | 2          |
|             |             |                        |            | 76          | 8067        | grubscrew            | 2          |
|             |             |                        |            | 77          | 8068        | grubscrew            | 8          |
| 17          | 35829       | collar                 | 1          | 78          | 8092        | dome head setscrew   | 4          |
| 18          | 35830       | bump stop              | 2          | 79          | 8129        | oilite bush          | 2          |
| 19          | 35832       | track rod              | 1          | 80          | 8256        | hand grip            | 2          |
| 20          | 35833       | control rod            | 1          | 81          | 8295        | pulley               | 1          |
| 21          | 35834       | pivot washer           | 2          | 82          | 8485        | ball joint           | 2          |
| 22          | 35835       | axle washer            | 4          | 83          | 8634        | sponge strip         | 7          |
| 23          | 35880       | storage box            | 1          | 84          | 9751        | gas spring           | 3          |
| 24          | 36064       | front cowling          | 1          | 85          | 8774        | countersunk setscrew | 2          |
| 25          | 36258       | engine mount           | 1          | 86          | 1/1021      | bolt                 | 2          |
| 26          | 35913       | brush arm bracket RH   | 1          | 87          | 1/1062      | spring washer        | 16         |
| 27          | 35914       | brush arm bracket LH   | 1          | 88          | 1/1065      | spring washer        | 20         |
| 28          | 35915       | rear brush pivot arm   | 1          | 89          | 1/1070      | washer               | 10         |
| 29          | 35916       | rear brush arm support | 1          | 90          | 1/1071      | washer               | 34         |
|             |             |                        |            | 91          | 1/1072      | washer               | 27         |
| 31          | 35921       | front floor plate      | 1          | 92          | 1/1073      | washer               | 11         |
| 32          | 35922       | rear mudguard RH       | 1          | 93          | 1/1076      | washer               | 16         |
| 33          | 35923       | rear mudguard LH       | 1          | 94          | 1/1092      | setscrew             | 4          |
| 34          | 35925       | gear shift lever       | 1          | 95          | 1/1094      | setscrew             | 6          |
| 35          | 35926       | collar                 | 1          | 96          | 1/1096      | setscrew             | 4          |
| 36          | 35927       | gear shift arm         | 1          | 97          | 1/1098      | bolt                 | 10         |
| 37          | 35929       | gear shift rod         | 1          | 98          | 1/1100      | bolt                 | 6          |
| 38          | 35930       | gear shift plate       | 1          | 99          | 1/1102      | bolt                 | 15         |
| 39          | 35939       | clutch lever           | 1          | 100         | 1/1108      | bolt                 | 3          |
| 40          | 35941       | clutch pivot           | 1          | 101         | 1/1112      | bolt                 | 2          |
| 41          | 35941       | belt guide             | 1          | 102         | 1/1114      | bolt                 | 4          |
| 42          | 35942       | clutch pedal           | 1          | 103         | 1/1154      | setscrew             | 8          |
| 43          | 35943       | clutch rod             | 1          | 104         | 1/1160      | bolt                 | 4          |
| 44          | 35944       | spacer pad             | 1          | 105         | 1/1217      | nut                  | 8          |
| 45          | 35947       | wear pad               | 1          | 106         | 1/1218      | nut                  | 34         |
| 46          | 35948       | battery strap          | 1          | 107         | 1/1220      | nut                  | 27         |
| 47          | 35949       | pin (seat)             | 1          | 108         | 1/1221      | nut                  | 12         |
| 48          | 35950       | pin (back arm)         | 4          | 109         | 1/1222      | half nut             | 6          |
| 49          | 35951       | pin (side arm)         | 2          | 110         | 1/1223      | nut                  | 12         |
| 50          | 35953       | pin (clutch rod)       | 1          | 111         | 1/1228      | nut                  | 4          |
| 51          | 35954       | pulley                 | 1          | 112         | 1/1621      | bolt                 | 4          |
| 52          | 35955       | pulley                 | 1          | 113         | 1/1647      | setscrew             | 2          |
| 53          | 35944       | transfer               | 1          | 114         | 20052       | control lever        | 1          |
| 54          | 35965       | transfer               | 1          | 115         | 20384       | screw                | 4          |
| 55          | 35968       | wiring loom            | 1          | 116         | 20490       | reflector            | 2          |
| 56          | 35970       | pulley guard           | 1          | 117         | 20673       | seat                 | 1          |
| 57          | 35971       | battery guard          | 1          | 118         | 20783       | wheel and tyre       | 2          |
| 58          | 35976       | spacer washer          | 1          | 119         | 20796       | wheel and tyre       | 2          |
| 59          | 35995       | clutch pivot pin       | 1          | 120         | 21235       | tube insert          | 22         |
| 60          | 36003       | warning label          | 1          |             |             |                      |            |



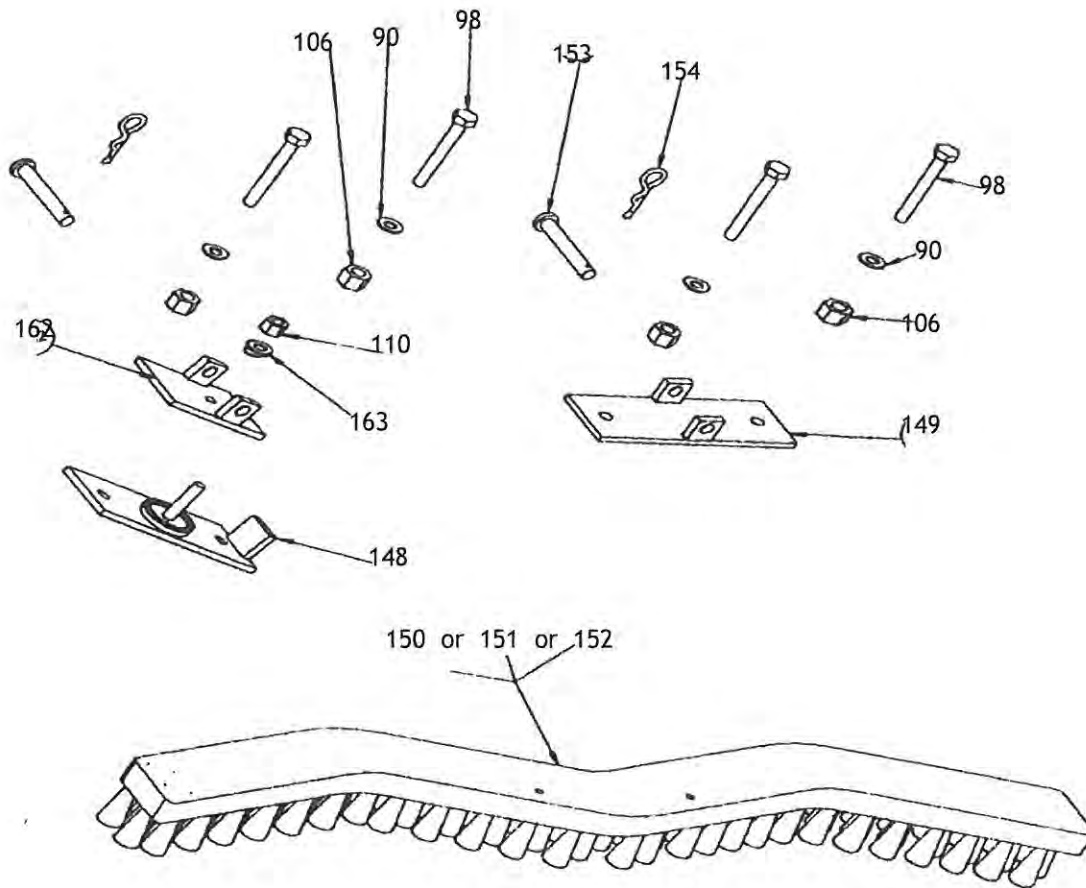
## PARTS LIST &amp; DRAWINGS : SISIS ROBBI, ride on brush bike

model ROB/8

WI/ROB8/07/00

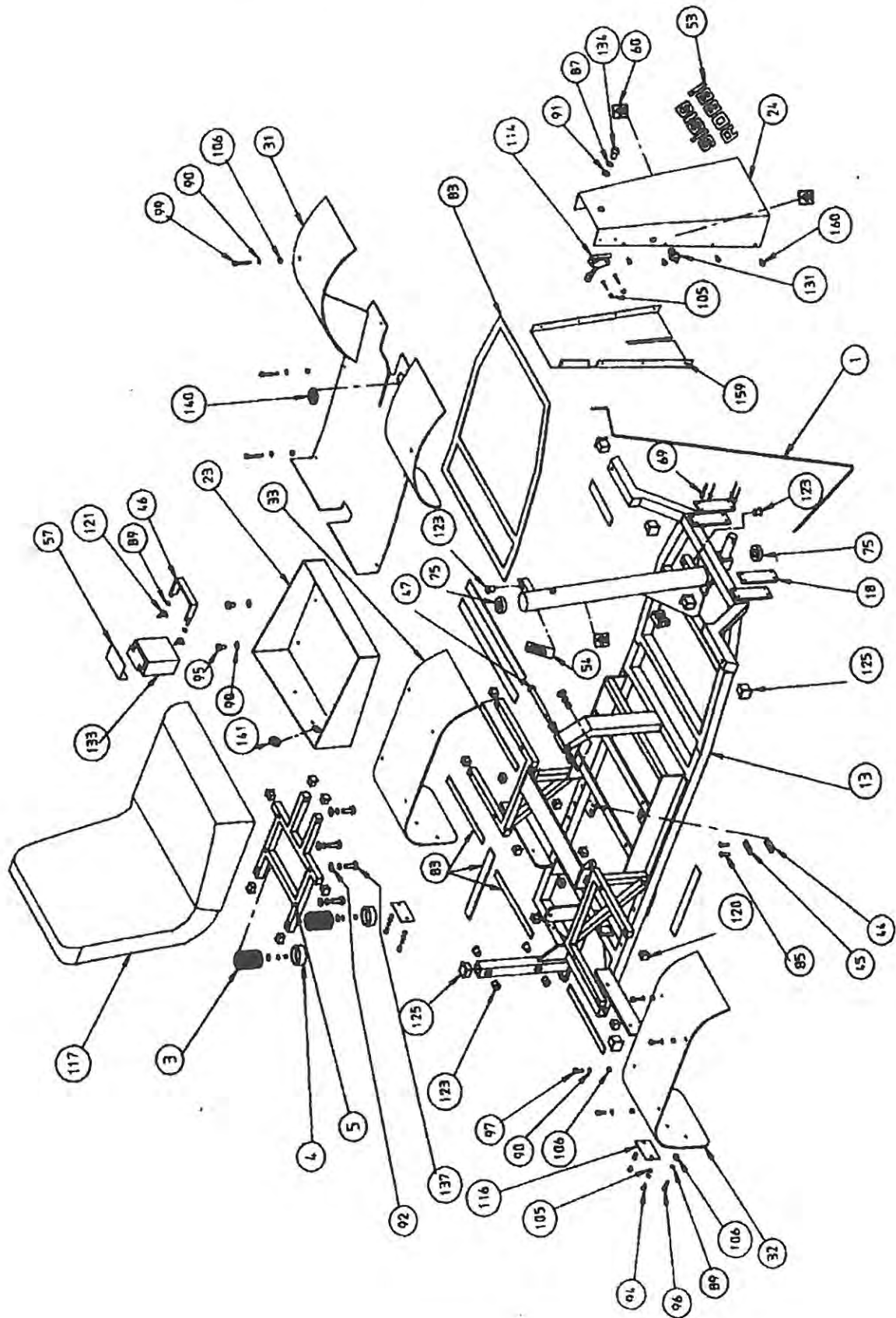
| <i>item</i> | <i>part</i> | <i>description</i>     | <i>qty</i> |     |         |                         |   |
|-------------|-------------|------------------------|------------|-----|---------|-------------------------|---|
| 121         | 21605       | wing nut               | 2          | 146 | FS854   | brush assembly - heavy  | 1 |
| 122         | 21629       | transaxle              | 1          | 147 | FS855   | brush assembly - medium | 1 |
| 123         | 21651       | nylon bush             | 22         | 148 | 35397   | bracket side brush      | 2 |
| 124         | 21655       | nylon bush             | 4          | 149 | 35917   | bracket rear brush      | 1 |
| 125         | 21656       | tube insert            | 10         | 150 | 35900   | brush - light           | 3 |
| 126         | 21685       | handle bars            | 1          | 151 | 359001  | brush - heavy           | 3 |
| 127         | 21687       | handle bar clamp       | 2          | 152 | 35901   | brush - medium          | 3 |
| 128         | 21688       | brake lever            | 1          | 153 | 35952   | pin                     | 3 |
| 129         | 21706       | ball joint             | 6          | 154 | 1389    | R clip                  | 3 |
| 130         | 21707       | engine                 | 1          | 155 | 1392    | single core cable       | 1 |
| 131         | 21710       | ignition switch        | 1          | 156 | 20717   | spring                  | 1 |
| 132         | 21712       | nylon bush             | 2          | 157 | 1/1093  | bolt                    | 1 |
| 133         | 21713       | battery                | 1          | 158 | 36112   | gear pointer            | 1 |
| 134         | 21714       | dome head screw        | 1          | 159 | 26198   | rear cowling            | 1 |
| 135         | 21717       | tube insert            | 2          | 160 | 20506   | self tapping screw      | 8 |
| 136         | 21719       | nut                    | 1          | 161 | 8360    | wheel nut               | 8 |
| 137         | 21720       | setscrew               | 4          | 162 | 36204   | side arm top pad        | 2 |
| 138         | 21721       | tube                   | 2          | 163 | 21805   | double coil washer      | 2 |
| 139         | 21722       | E clip                 | 2          | 164 | 36257   | support pad             | 2 |
| 140         | 21723       | grommet                | 1          | 165 | 4534    | rubber mounting         | 4 |
| 141         | 21724       | grommet                | 1          | 166 | 20214   | half nut                | 4 |
| 142         | 1/1081      | washer                 | 2          | 167 | HUJK127 | washer                  | 4 |
| 143         | HUFJL640    | washer                 | 1          | 168 | 1/1061  | spring washer           | 4 |
| 144         | HUFJL695    | setscrew               | 1          | 169 | 36697   | wheel spacer            | 2 |
| 145         | FS853       | brush assembly - light | 1          | 170 | 21782   | nylon washer            | 2 |
| <i>item</i> | <i>part</i> | <i>description</i>     | <i>qty</i> |     |         |                         |   |

FIGURE 6 BRUSH COMPONENTS ASSEMBLY

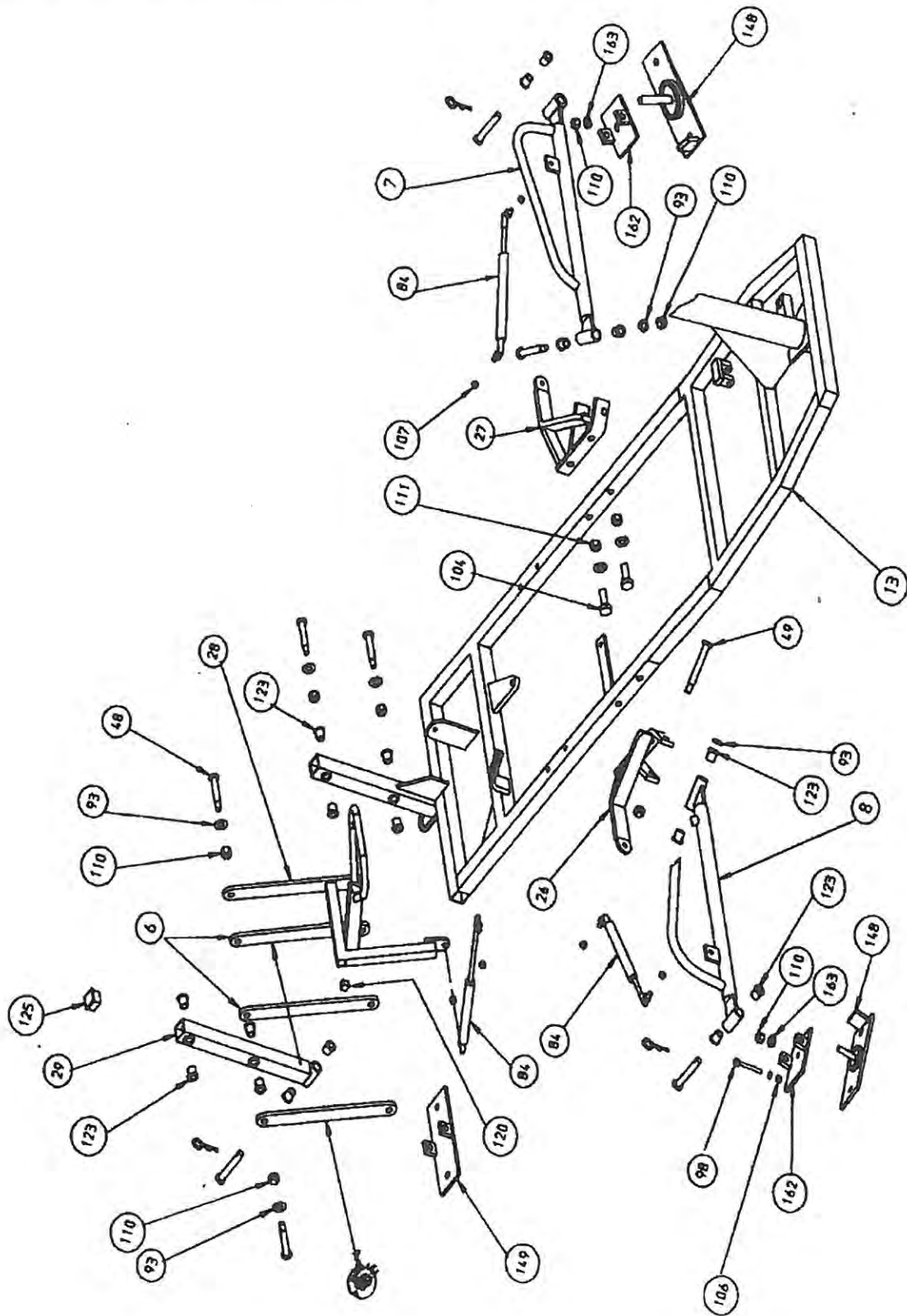
**BRUSH ASSEMBLY**

| item | FS Number | description |                           |
|------|-----------|-------------|---------------------------|
| 145  | FS853     | Light duty  | Green stock White bristle |
| 146  | FS854     | Heavy duty  | Black stock Red bristle   |
| 147  | FS855     | Medium duty | Black stock White bristle |

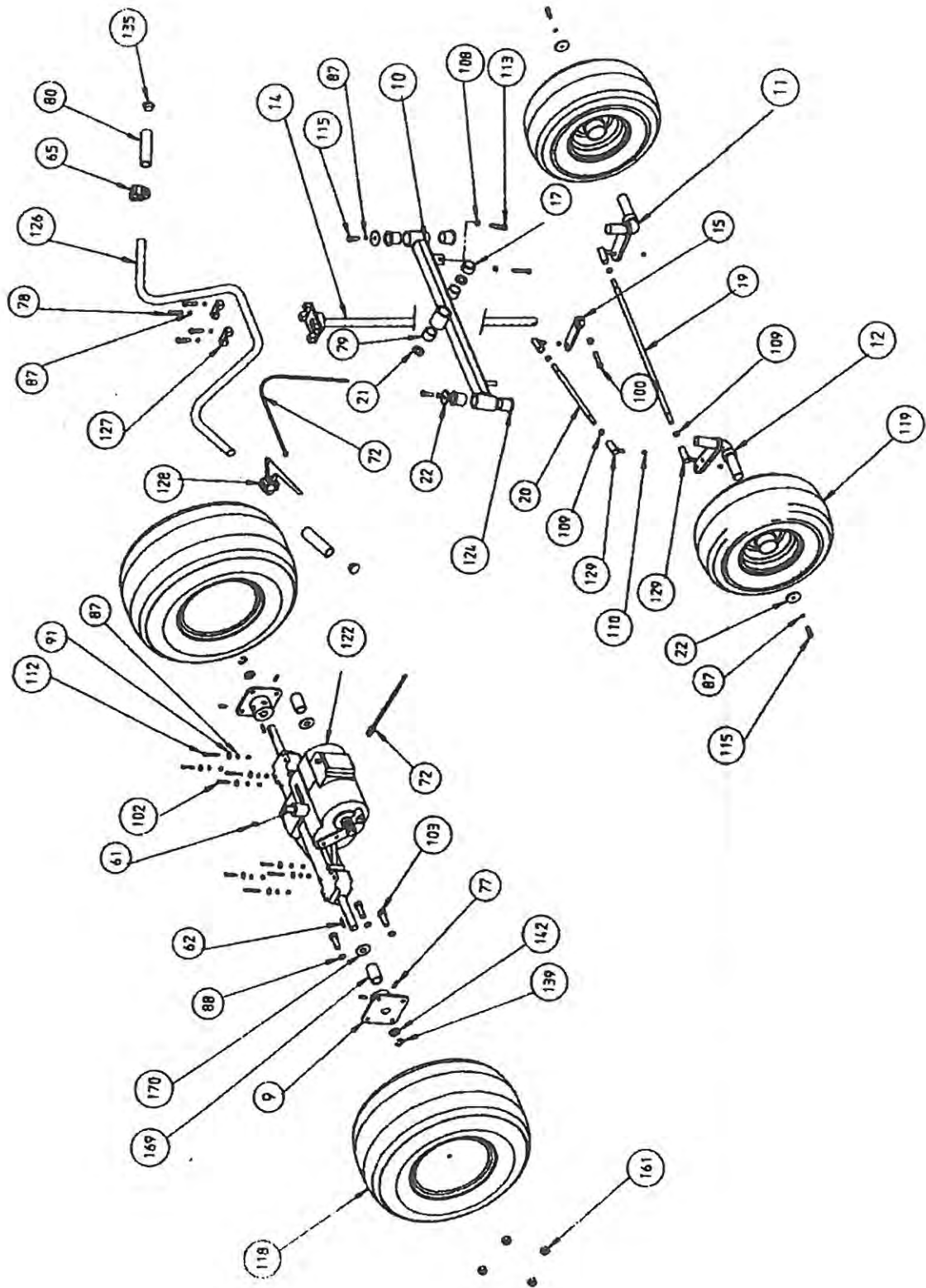
MAINFRAME COMPONENTS ASSEMBLY Figure 2



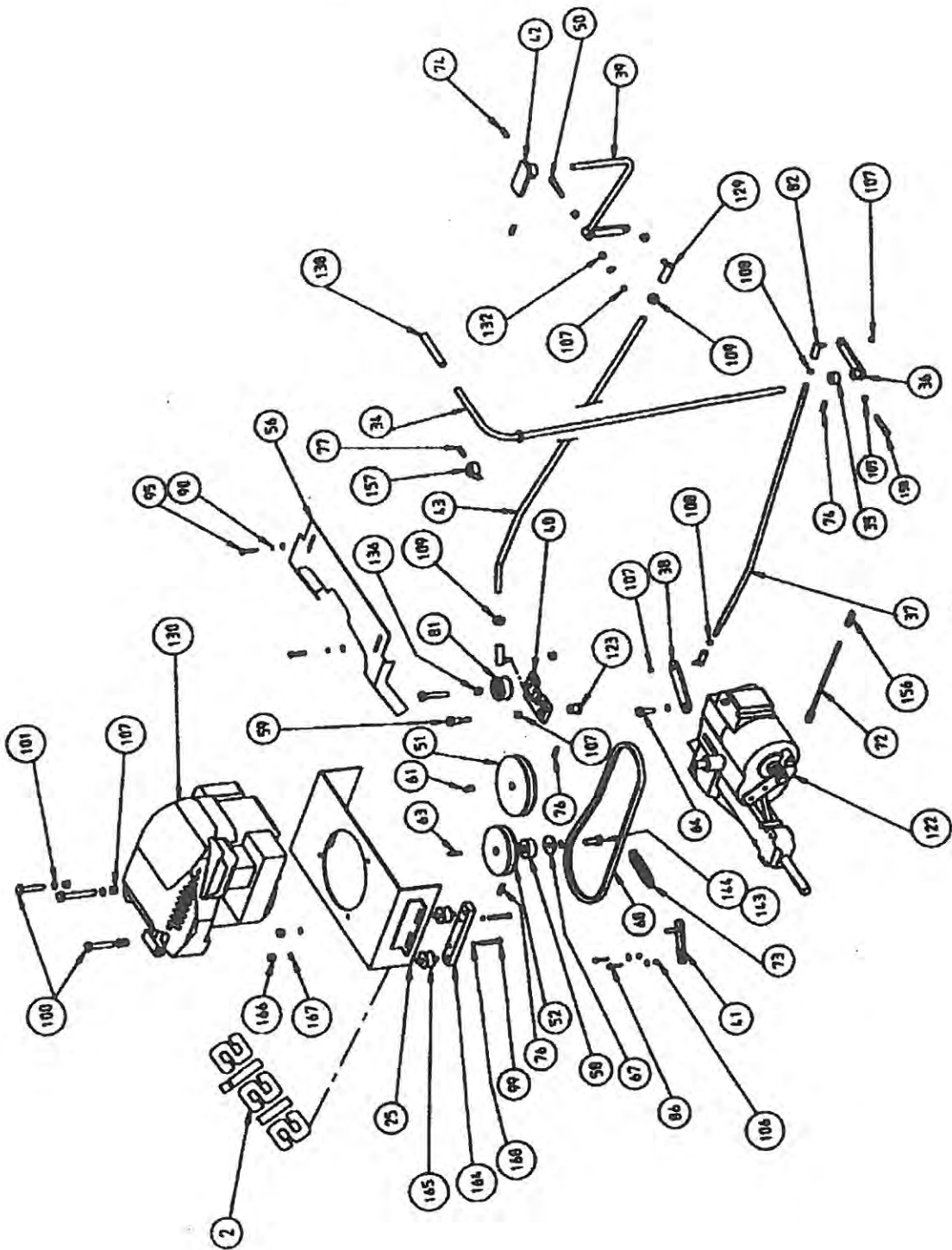
BRUSH ARM COMPONENTS ASSEMBLY Figure 3



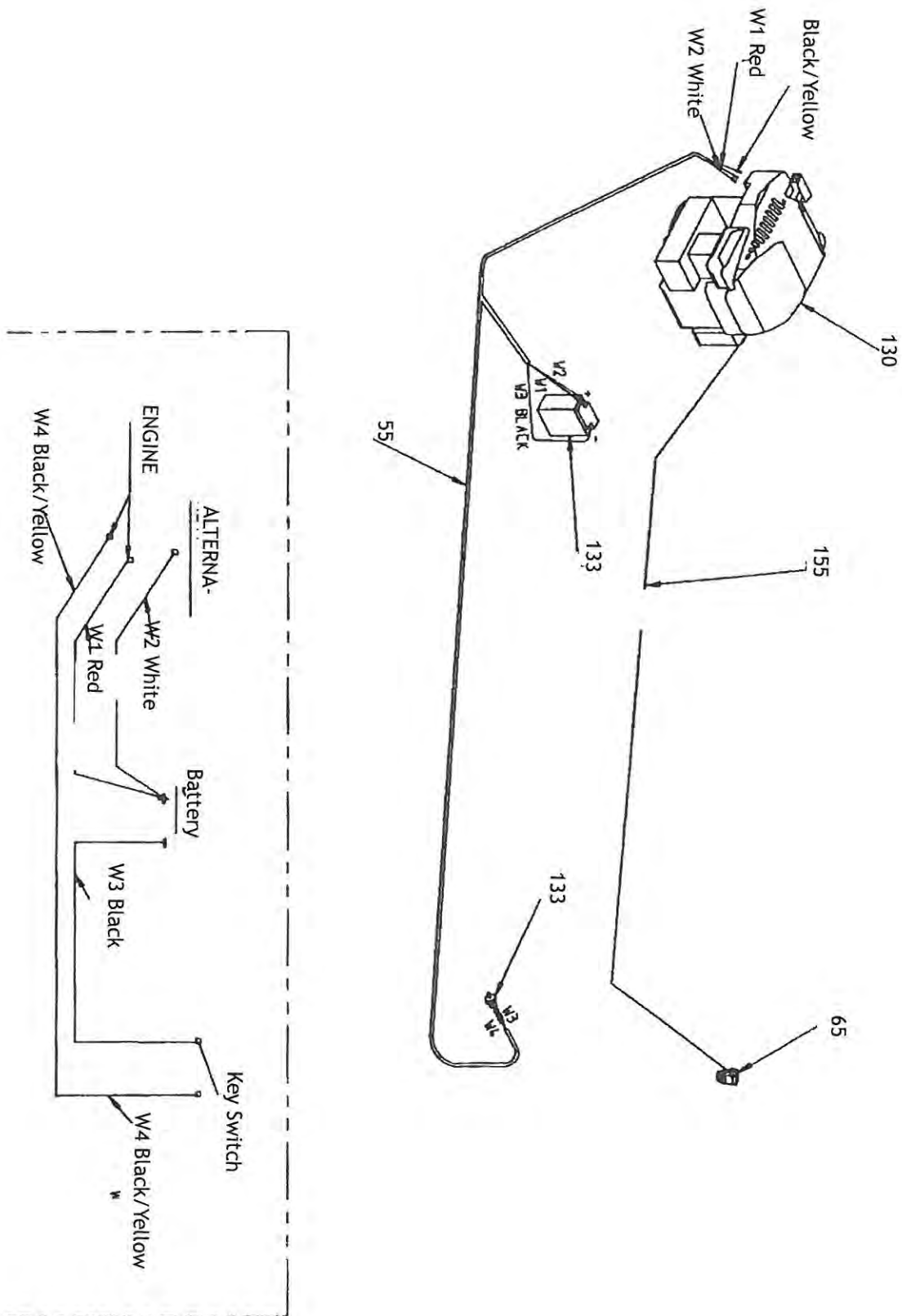
AXLE & STEERING COMPONENTS ASSEMBLY Figure 4



DRIVE COMPONENTS ASSEMBLY Figure 5



WIRING LOOM/ELECTRICS Figure 7



# sisis VIBRATION LEVELS

|                            |                               |                     |
|----------------------------|-------------------------------|---------------------|
| Test Carried Out by        | RMS Vibration Test Laboratory |                     |
| Machine Name               | Robbi                         |                     |
| Machine Reference          | ROB/8                         |                     |
| Measurement Taken At       | Ludlow Golf Club, Shropshire  |                     |
| Date                       | 29th June 2000                |                     |
| <i>Summary of Results:</i> |                               |                     |
| Whole body vibration       | Light driver 65kg             | 1.5ms <sup>-2</sup> |
|                            | Heavy driver 80kg             | 1.2ms <sup>-2</sup> |
| Hand transmitted vibration |                               | 2.1ms <sup>-2</sup> |

## PERSONAL SAFETY EQUIPMENT

|                    |                                     |                    |                          |
|--------------------|-------------------------------------|--------------------|--------------------------|
| Use Safety Glasses | <input type="checkbox"/>            | Use Breathing Mask | <input type="checkbox"/> |
| Use Safety Gloves  | <input checked="" type="checkbox"/> | Use Ear protectors | Optional                 |
| Use Safety Boots   | <input checked="" type="checkbox"/> |                    |                          |



# sisis NOISE MEASUREMENT REPORT

Machine ROBBI Model ROB/8  
 Engine Briggs & Stratton Intek HP 6  
 Reduction Box No

Type of Instrument Used for Test Channel Electronics SLM77A  
 (Complies with BS3489-1962 123 ANSA S14 (2) Z37)

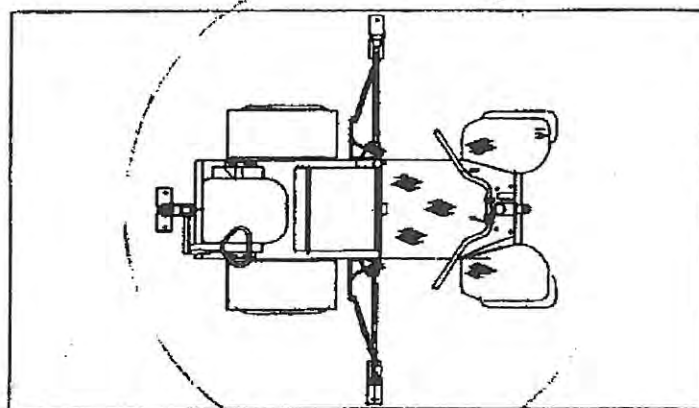
Noise Levels dBa

Position

- A ) All measurements at operators ear level
- B ) Measurements taken with engine at full revs
- C )
- D ) IM From Machine

|   | Working | Transporting |
|---|---------|--------------|
| A | 84      | 84           |
| B | 86      | 86           |
| C | 90      | 90           |
| D | 87      | 87           |

Sketch of Measuring Position



Weather Dry Ground Conditions Measured on Hard Base

Remarks Ear Protection Advised

Signed *B. Hartley* Date 18th July 2000

