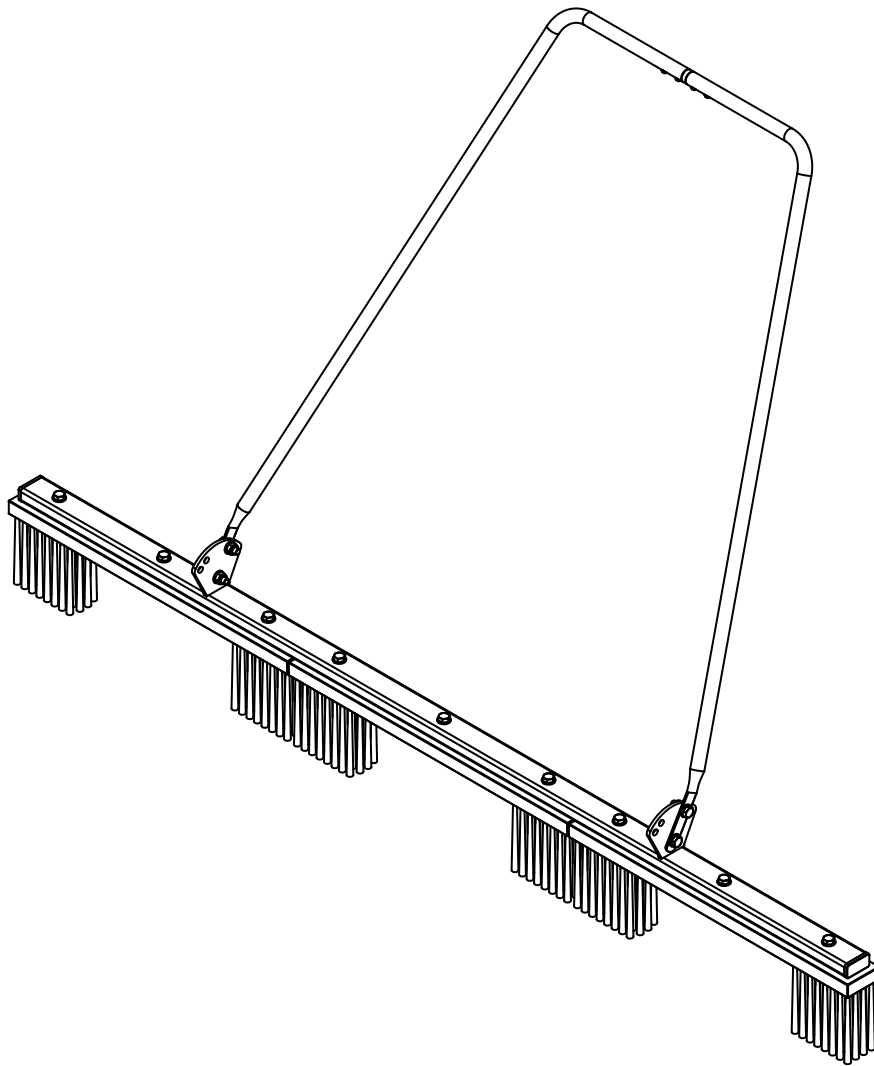


sisis[®]

DRAGBRUSH INSTRUCTION MANUAL



SISIS, Ashbourne Road, Kirk Langley, Derbyshire, DE6 4NJ, England.

Tel: +44 (0) 1332 824 777 | Fax: +44 (0) 1332 824 525 | Email: info@sisis.com | www.sisis.com

A division of Howardson Ltd. - a proudly British company
Company reg no 641526 - Vat No GB 345 9918 12

SP20021_REV_0
03/13



NOTE

MAKE A NOTE OF THE SERIAL NUMBERS OF YOUR MACHINE & ENGINE AND ALWAYS QUOTE THEM IN ANY COMMUNICATION WITH PERSONNEL AT DENNIS.

MACHINE SERIAL NUMBER

Introduction

The **SISIS Dragbrush** is virtually maintenance-free, all parts can be replaced should they become worn.

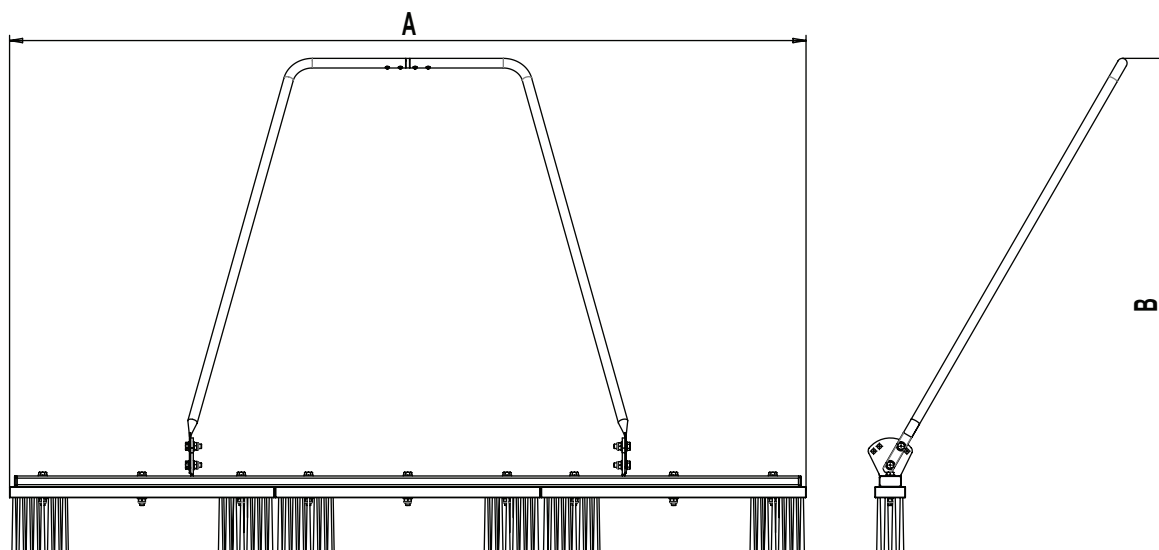
It is advisable to read the instructions carefully. Proper care and attention will enable the machine to give a continuous, satisfactory, and reliable service.

In the case of any difficulty, or if further information or advice is required, our Service Department is always at your call. In the interests of speed and accuracy of information please quote the serial number of the machine when making enquiries.

For the machine, this is to be found on a plate attached to the side frame. We suggest you write the numbers above.

Contents

	Page
Serial Numbers.....	2
Introduction.....	2
Technical Data.....	3
Operating Instructions	3
Parts Listings.....	4
Notes	5



Dragbrush	6ft	8ft
Dimension A (mm)	1835	2445
Dimension B (mm)	1140	1140
Weight (kg)	13.5	17

Operating Instructions



CAUTION

PLEASE READ THESE OPERATING INSTRUCTIONS CAREFULLY BEFORE COMMENCING WORK.

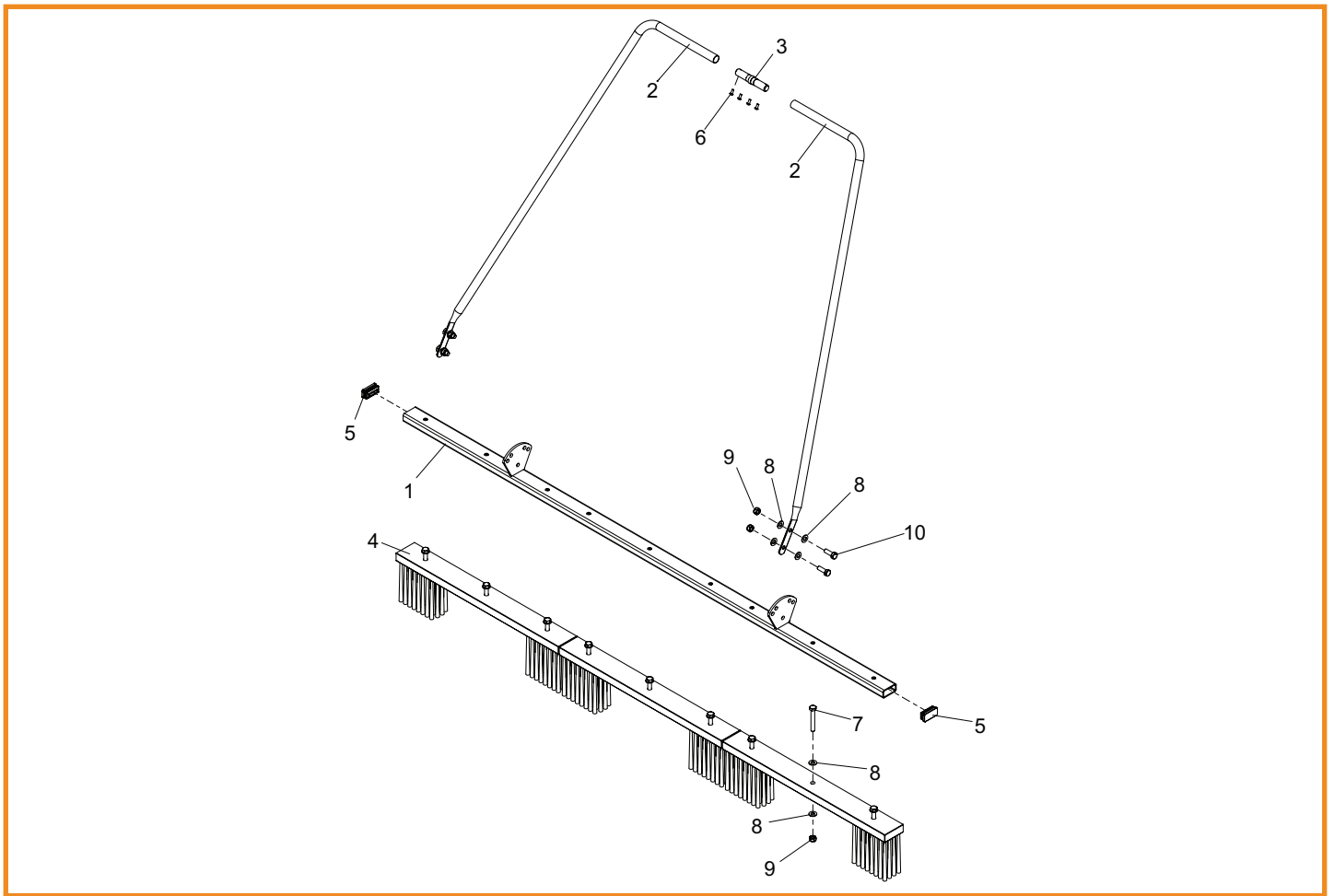
We want you to obtain the best performance from this machine. If you have any difficulty in carrying out the following instructions please contact SISIS direct or your local SISIS Territory Manager or SISIS Dealer.

The **SISIS Dragbrush** is designed to stand up the synthetic surface pile, moving and distributing the infill material, improving presentation.

OPERATION

The Dragbrush is very simple to operate.

- Set the adjustable handle to the correct angle.
- The angle sets the desired brush angle to the synthetic surface.
- The handle can be reversed as the brush bristles wear.
- Drag the Dragbrush to distribute the synthetic surface infill.



1.01

Dragbrush

Item No.	Part No.	Description	Quantity
1	F37792	Brush Frame - 6ft	1
1	401822	Brush Frame - 8ft	1
2	F37796	Handle Dragbrush	2
3	400985	Handle Link	1
4	D1520	Brush Osca - 6ft	3
4	D1520	Brush Osca - 8ft	4
5	D8956	Insert 50 x 25	2
6	Sp01069	Button Head M5 x 12	4
7	E1-1132	Hex Bolt M10 x 70 - 6ft	9
7	E1-1132	Hex Bolt M10 x 70 - 8ft	12
8	SP03011	Washer M10 Form A - 6ft	26
8	SP03011	Washer M10 Form A - 8ft	32
9	SP02008	Nut M10 Nyloc (T) - 6ft	13
9	SP02008	Nut M10 Nyloc (T) - 8ft	14
10	SP01105	Hex Set Screw M10 x 30	4

sisis®

SISIS, Ashbourne Road, Kirk Langley, Derbyshire, DE6 4NJ, England.

Tel: +44 (0) 1332 824 777 | Fax: +44 (0) 1332 824 525 | Email: info@sisis.com | www.sisis.com

A division of Howardson Ltd. - a proudly British company
Company reg no 641526 - Vat No GB 345 9918 12